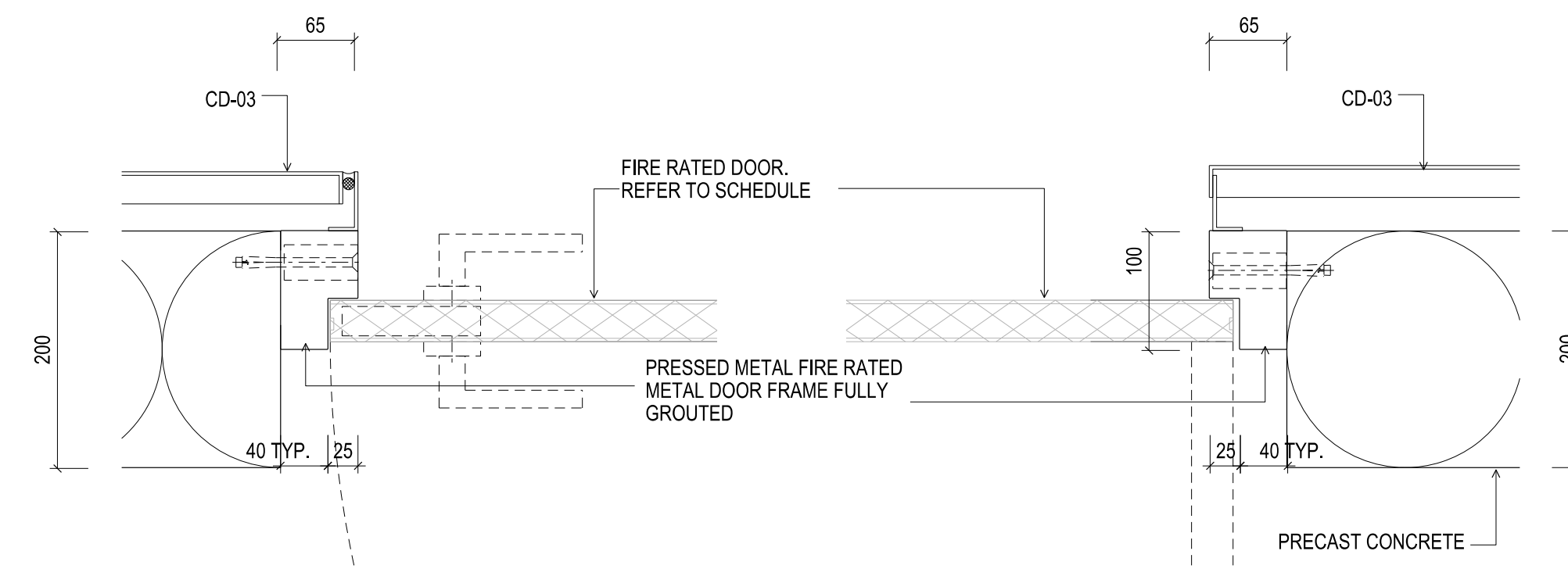
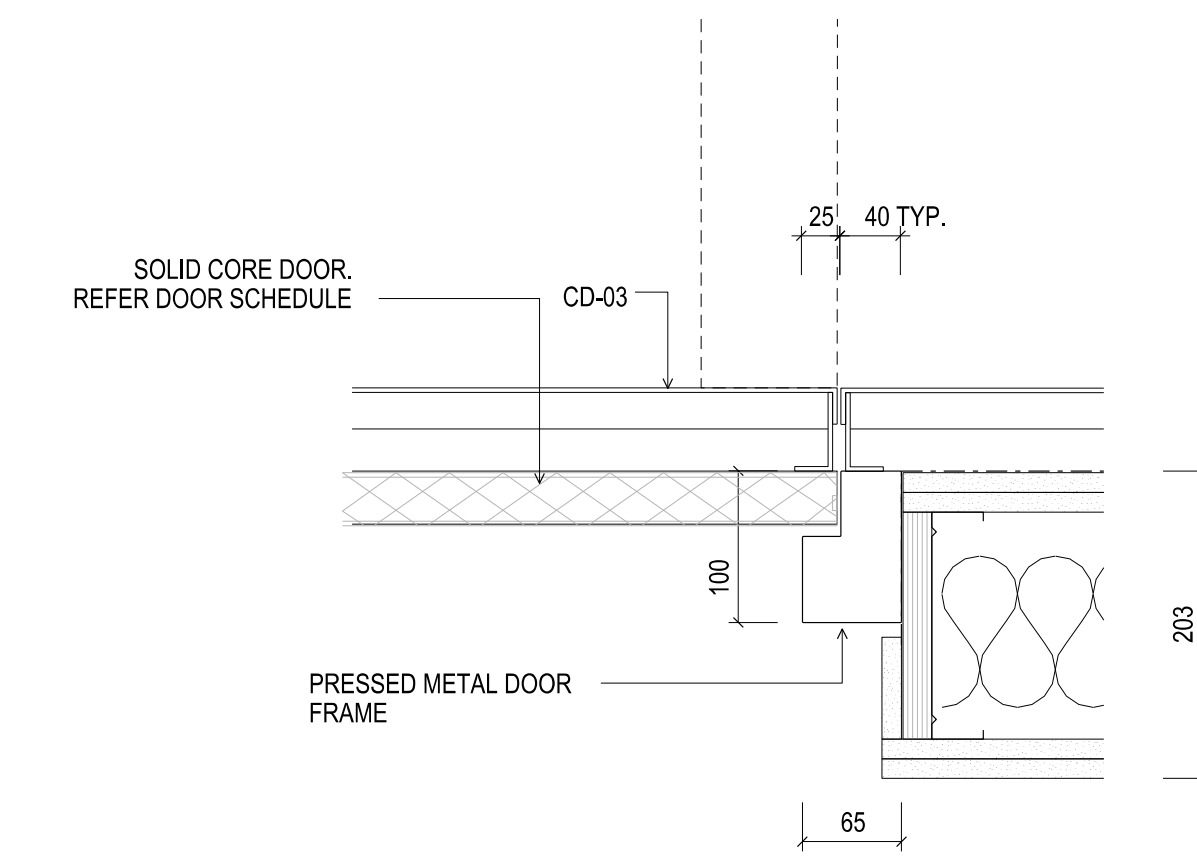


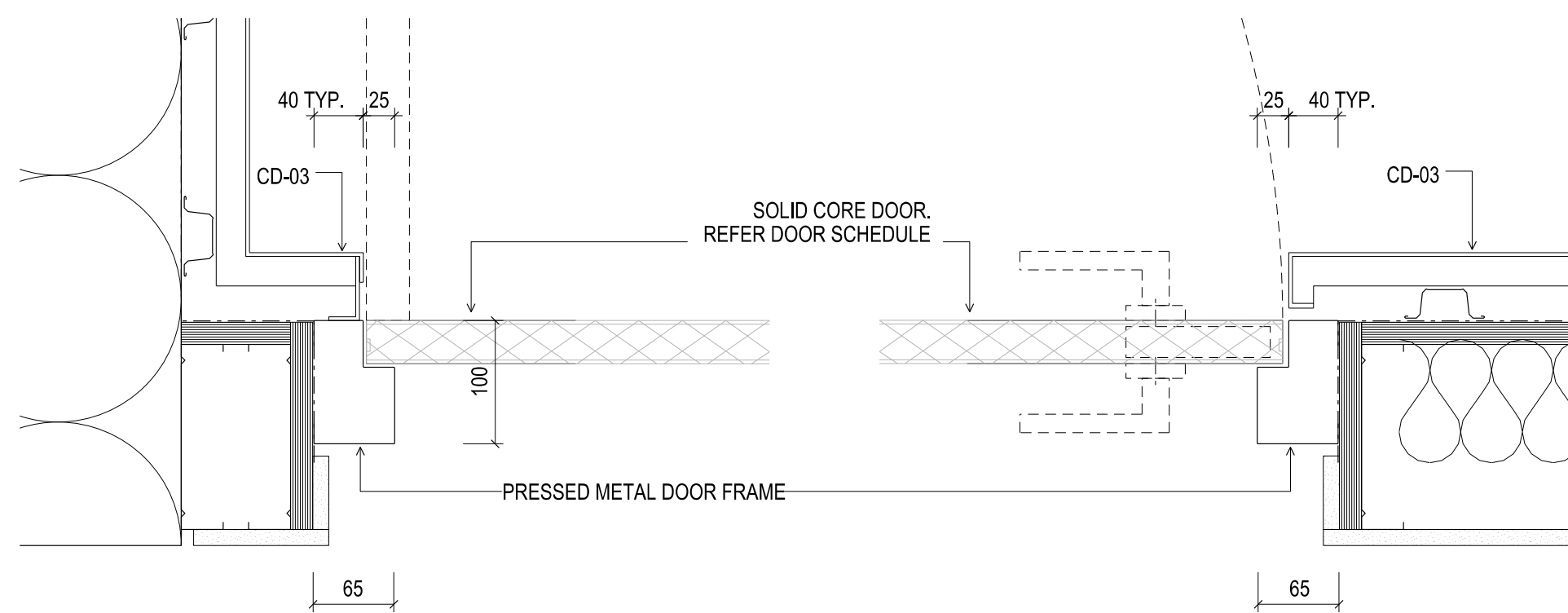
01 DOOR FRAME TYPE C DETAIL (FIRE RATED) STAIR CORE FIRE DOOR SCALE 1:5 DOORS D5-01



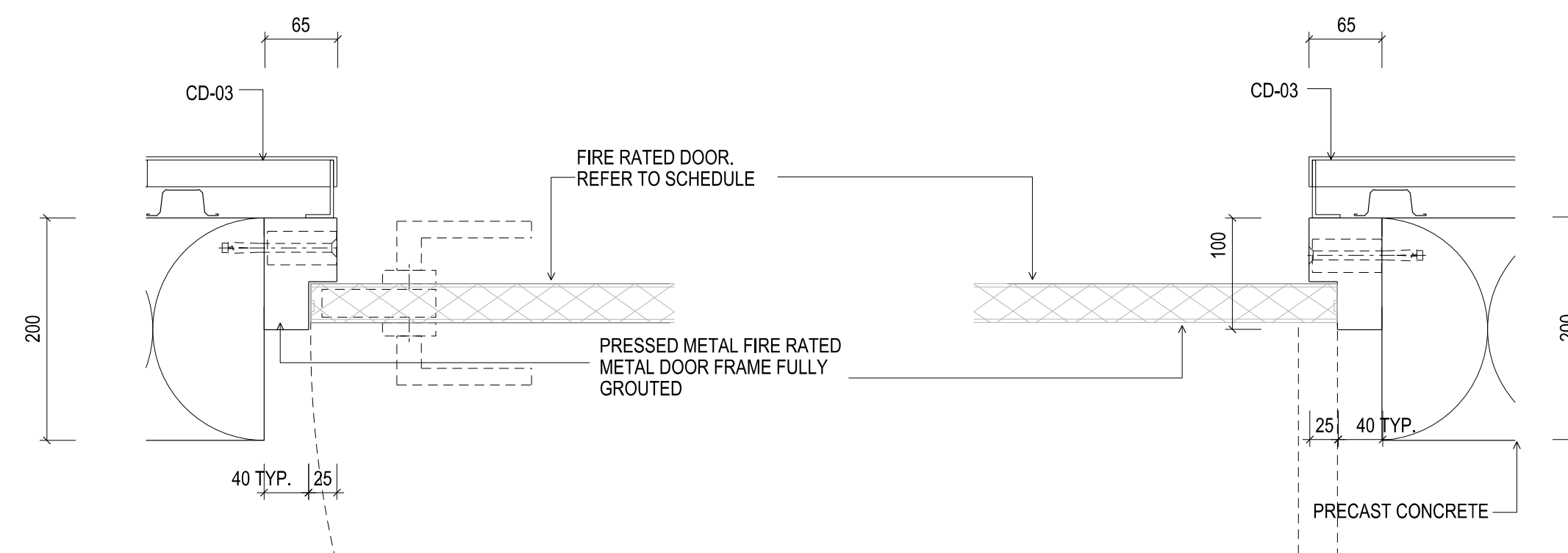
02 DOOR FRAME TYPE C DETAIL (FIRE RATED) STAIR CORE FIRE DOOR SCALE 1:5 DOORS D5-02



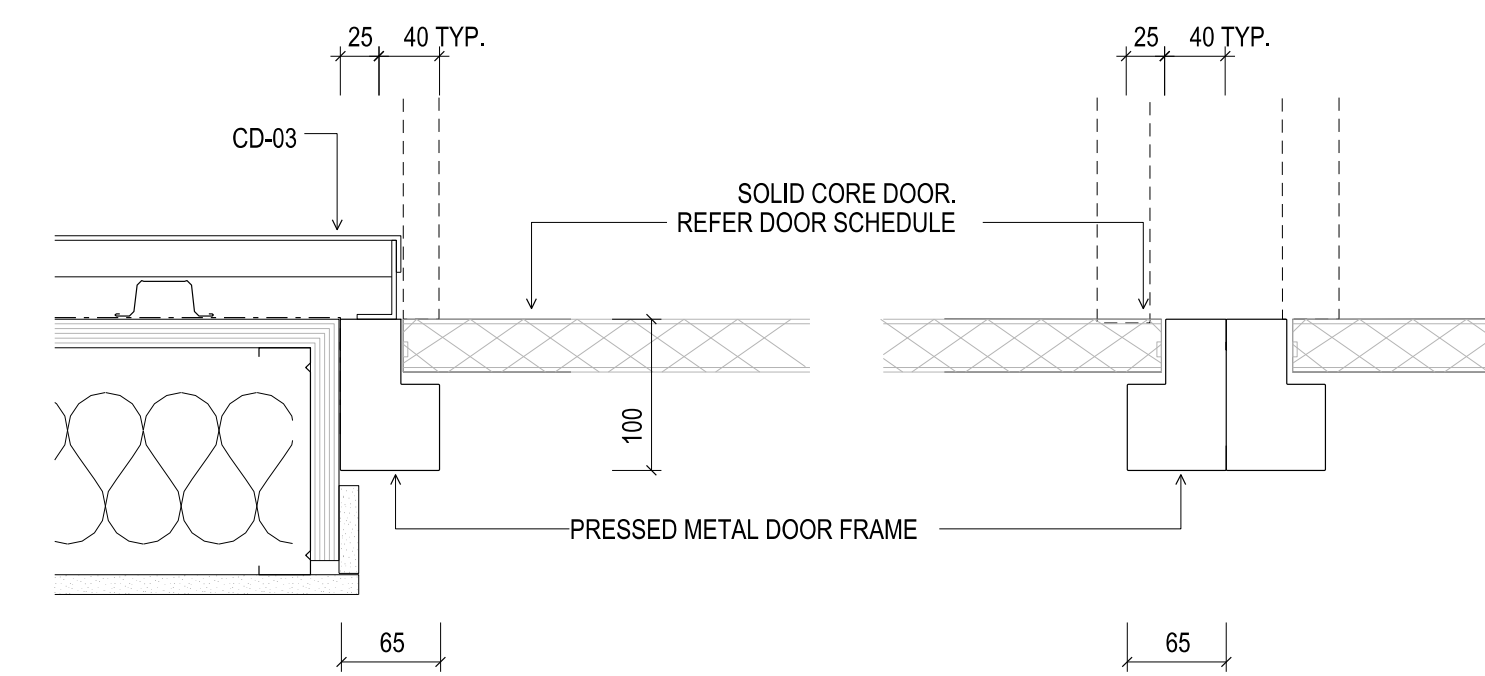
03 DOOR FRAME TYPE B DETAIL EXTERNAL PLANT ROOM SCALE 1:5 DOORS D5-08



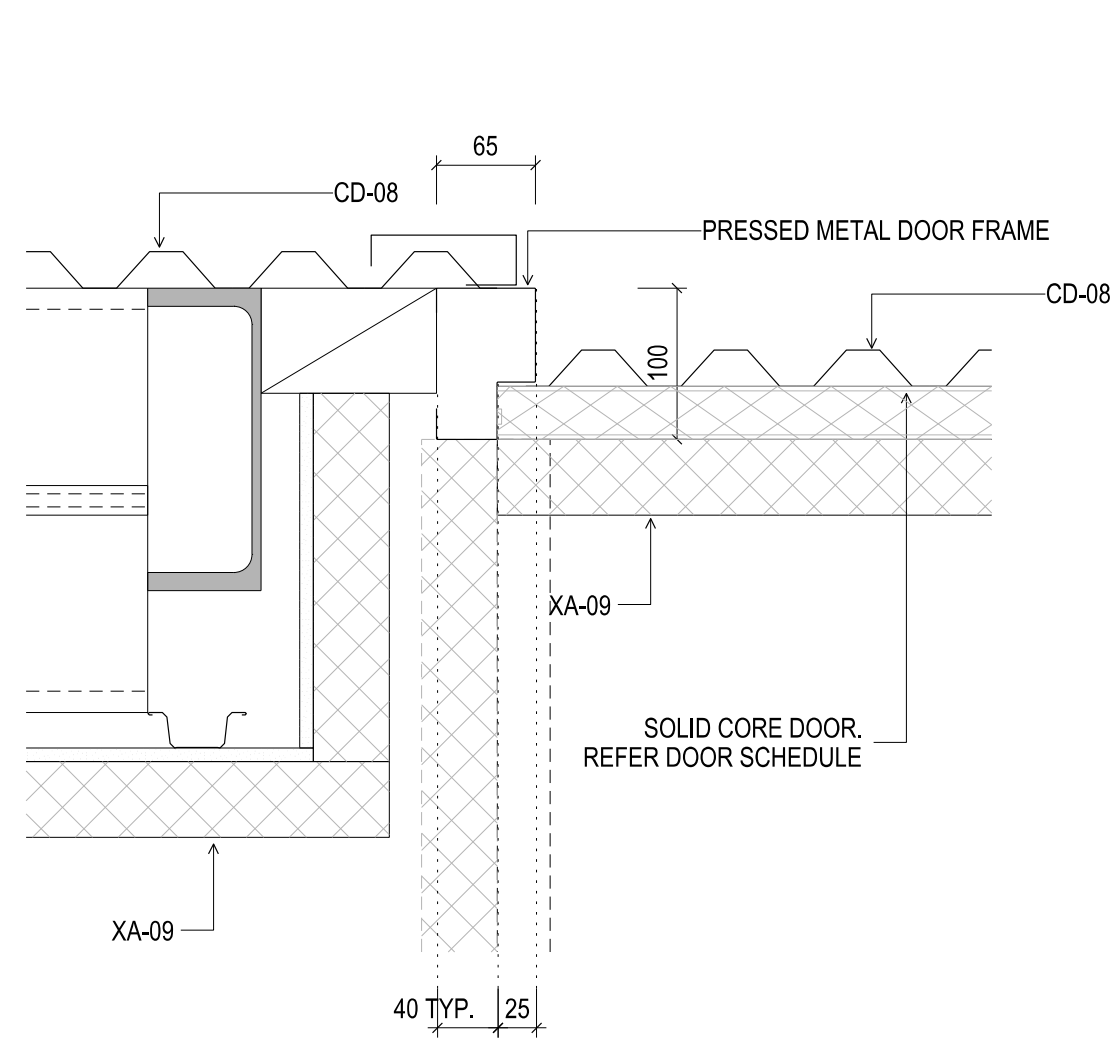
04 DOOR FRAME TYPE B DETAIL EXTERNAL PLANT ROOM SCALE 1:5 DOORS D5-03



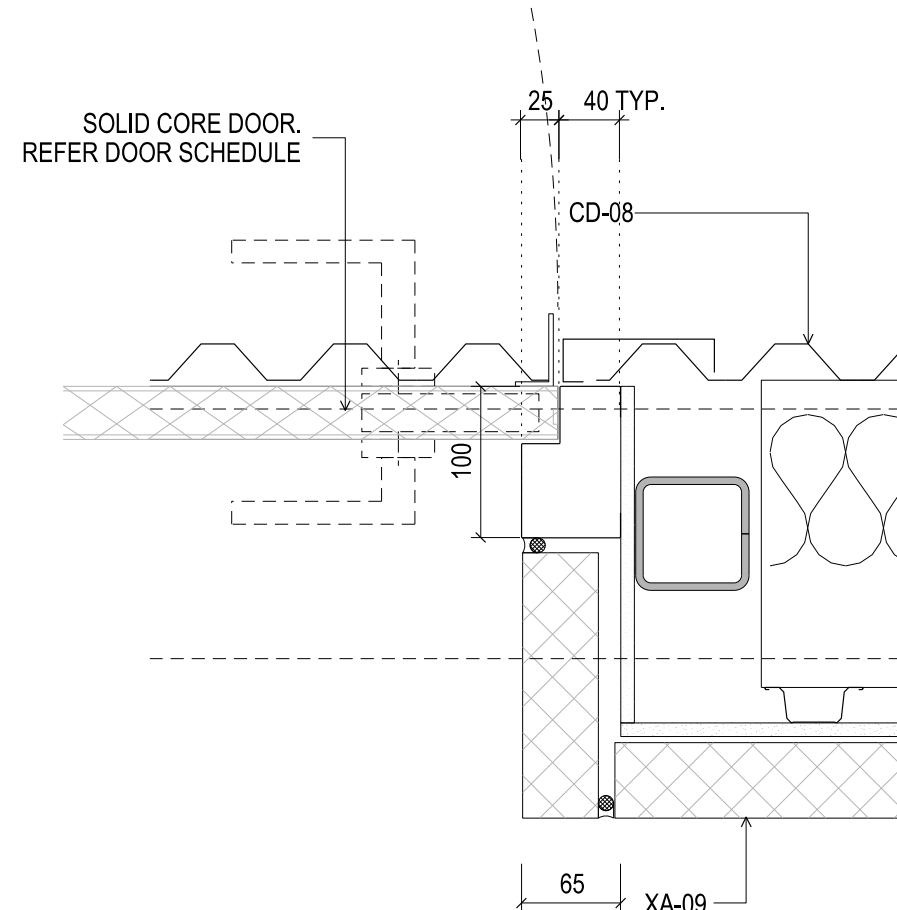
05 DOOR FRAME TYPE C DETAIL (FIRE RATED) STAIR CORE FIRE DOOR SCALE 1:5 DOORS D5-04



06 DOOR FRAME TYPE B DETAIL EXTERNAL PLANT ROOM SCALE 1:5 DOORS D5-05; D5-06



07 DOOR FRAME TYPE B DETAIL EXTERNAL PLANT ROOM SCALE 1:5 DOORS D5-09; D5-14; D5-15



08 DOOR FRAME TYPE B DETAIL EXTERNAL PLANT ROOM SCALE 1:5 DOORS D5-10

Table with 3 columns: Rev, Issue, Revision Description, Amd, Date. Contains one entry: A, SG, ISSUED FOR CONSTRUCTION, 18.10.13.

Table with 3 columns: Rev, Issue, Revision Description, Amd, Date. Contains one entry: A, SG, ISSUED FOR CONSTRUCTION, 18.10.13.



NADAAA 1520 Washington Street No.2 Boston Massachusetts 02118 USA Telephone +1 617 442 8232 Facsimile +1 688 442 1417 Email nado@nadaaa.com

John Wardle Architects 25 Rokeby Street, Collingwood, Victoria 3066 Australia Tel: +61 3 8662 0400 www.johnwardlearchitects.com © 2012 John Wardle Architects ABN 83 006 814 268

Client University of Melbourne Parkville Campus

Project Faculty of Architecture Building and Planning

Title DOOR JAMB DETAILS SHEET 04

Table with 4 columns: Project No., Drawing No., Date, Dwn, Co-Ord, Chk. Values: 0913, AR 7509.

FILENAME - \$FILES

FOR CONSTRUCTION